

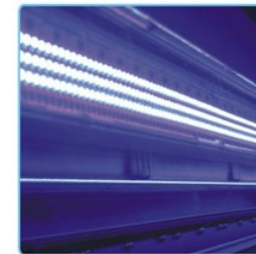
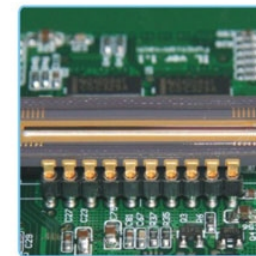
产量大、精度高、带出少、性能稳定、超高性价比!

QR 系列CCD全数字智能大米色选机

QR-SERIES CCD COLOR SORTER

外形尺寸与地脚安装图 OVERALL DIMENSION

永祥 YONGXIANG



永祥QR系列CCD全数字智能大米色选机是根据现代大米加工企业生产实际需要，综合永祥长期大米色选技术和经验，采用国际名牌零部件，精心设计、制造，具有国际水平的专业大米色选机，该机智能化程度高、产量大(8-16吨/小时)，性能卓越、功能强大、运行平稳，特别擅长微小病斑、浅黄、芯白、腹白大米的高精度色选，是目前国内性价比最高的大米色选机，用户可以较低的成本，大幅提高产品等级，获得良好的经济效益，值得现代大米加工企业拥有。

YongXiang QR Series CCD Color Sorter is an international standard professional sorter, in accordance with the actual needs of the modern rice processing. The QR Series Sorter is carefully designed with long-term rice sorting experience, and manufactured with international brand-name parts. The machine is of high intelligence, large production (8-16 t/h), excellent performance, smooth running, and especially good at small spots, light yellow, milky rice color sorting. This color sorter is currently most cost-effective, so users can greatly improve the product grade by lower costs. It worth modern rice mills have.

产品特点 FEATURES

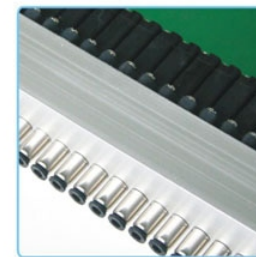


顶级2048像素高速CCD传感器配合高亮度LED光源，图像分辨能力强，识别率高，细微色差和针点瑕疵都能轻松识别，特别适合微小病斑、浅黄、芯白、腹白大米的高精度、大产量色选。

2048 pixels high-sensitivity CCD sensor with high brightness LED lamps, very good image quality with extremely low noise, thus small spots and light yellow rice can be easily identified.

高亮度LED光源，亮度高、寿命长(三年以上)，发光稳定，无频闪，满足高精度、大产量色选的光源要求，又降低用户使用成本。

The LED lamps have high brightness and long life (more than three years). It uses patented technology to reduce working noise. The LED lamps have good stability and are cost-effective.



新型高速单喷头，频率高达1100Hz以上，开关速度快、控制精准不拖尾，剔除精度高，带出低，耗气省，产量大，使用寿命长(超过10亿次以上可保用三年)，大幅提高色选效果。

New generation high-speed single ejector, frequency up to 1100Hz above, fast switching speed, precise control without air tail, high hitting accuracy, low bring out, less air consumption, large production, and long life (more than 1 billion times, insurable with three years).



具备加热功能的大型滑槽，表面经特殊处理，光滑耐磨，不易跳米，保证高精度、大产量色选效果的稳定，有效降低带出比。

Large chute with special treatment on the surface, smooth wear, so rice is not easy to jump to ensure the stability of the color sorting effect. The smooth chute can also reduce the carry out.



精心设计的人性化操作界面，智能化程度高，功能强大，层次分明，一键智能调整，方便用户，简洁易用。

A well-designed Human Interface, intelligent, powerful, clearly structured with 3 grade password. The "One-key Intelligent Adjustment" function is very user-friendly, simple and easy to use.

本机大量采用国际名牌零部件，配合先进的生产工艺，优化完善的电路设计，大大增强系统可靠性，整机运行状态全面实现在线监控。

The machine has greatly enhancing system reliability. It uses many international brand-name parts, designed with optimized circuits, manufactured with advanced arts and crafts. It has intelligent On-board monitoring system such as temperature, voltage, current, ejector working state, etc.

产品功能 PRODUCT



异色模式：从白米中剔除异色米
The mode of sorting out discolored rice from white rice



腹白模式：从白米中剔除腹白米
The mode of sorting out milky rice from white rice



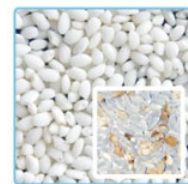
黄白同选：从白米中同时剔除异色和腹白米
The mode of sorting out discolored and milky rice from white rice simultaneously



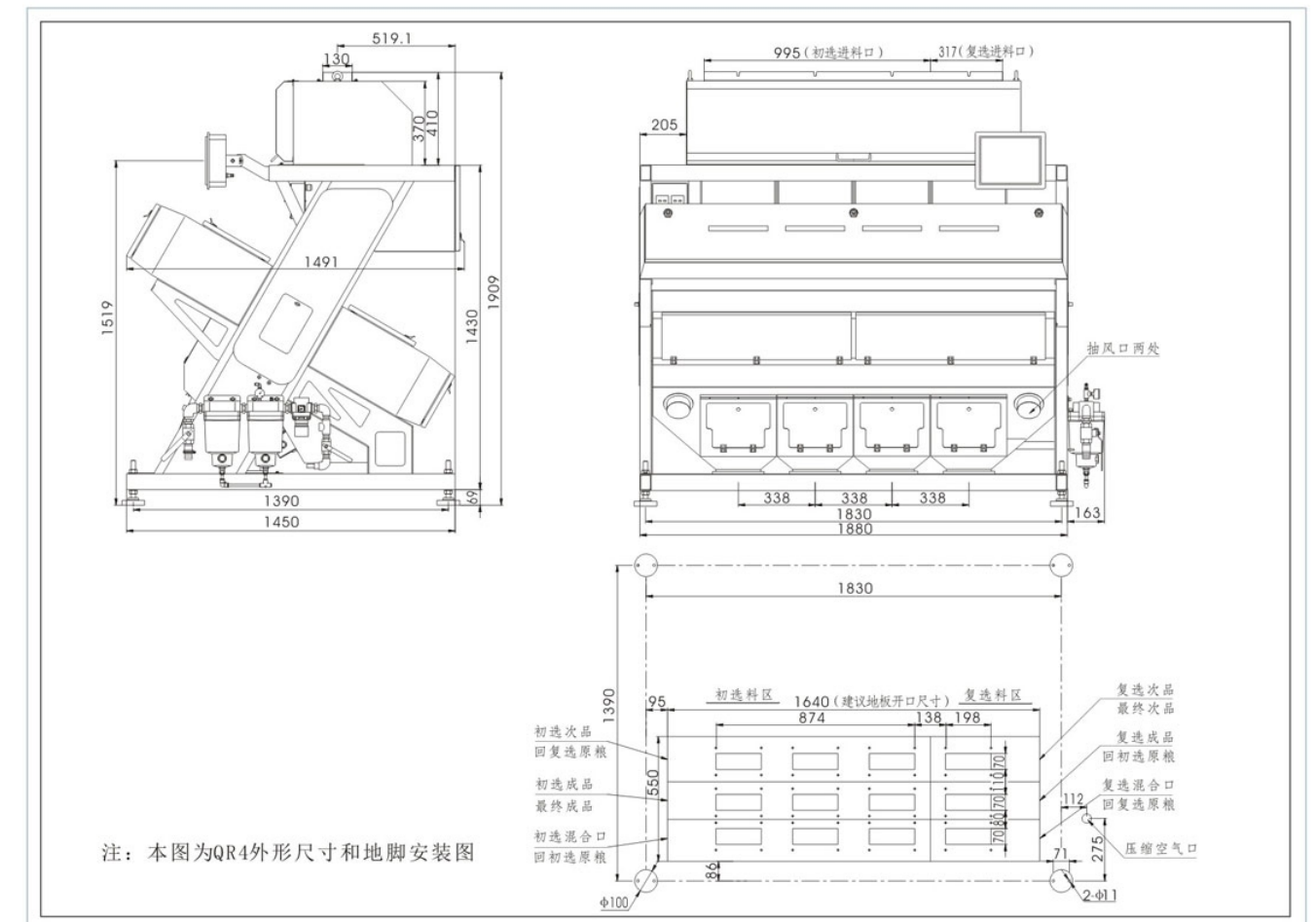
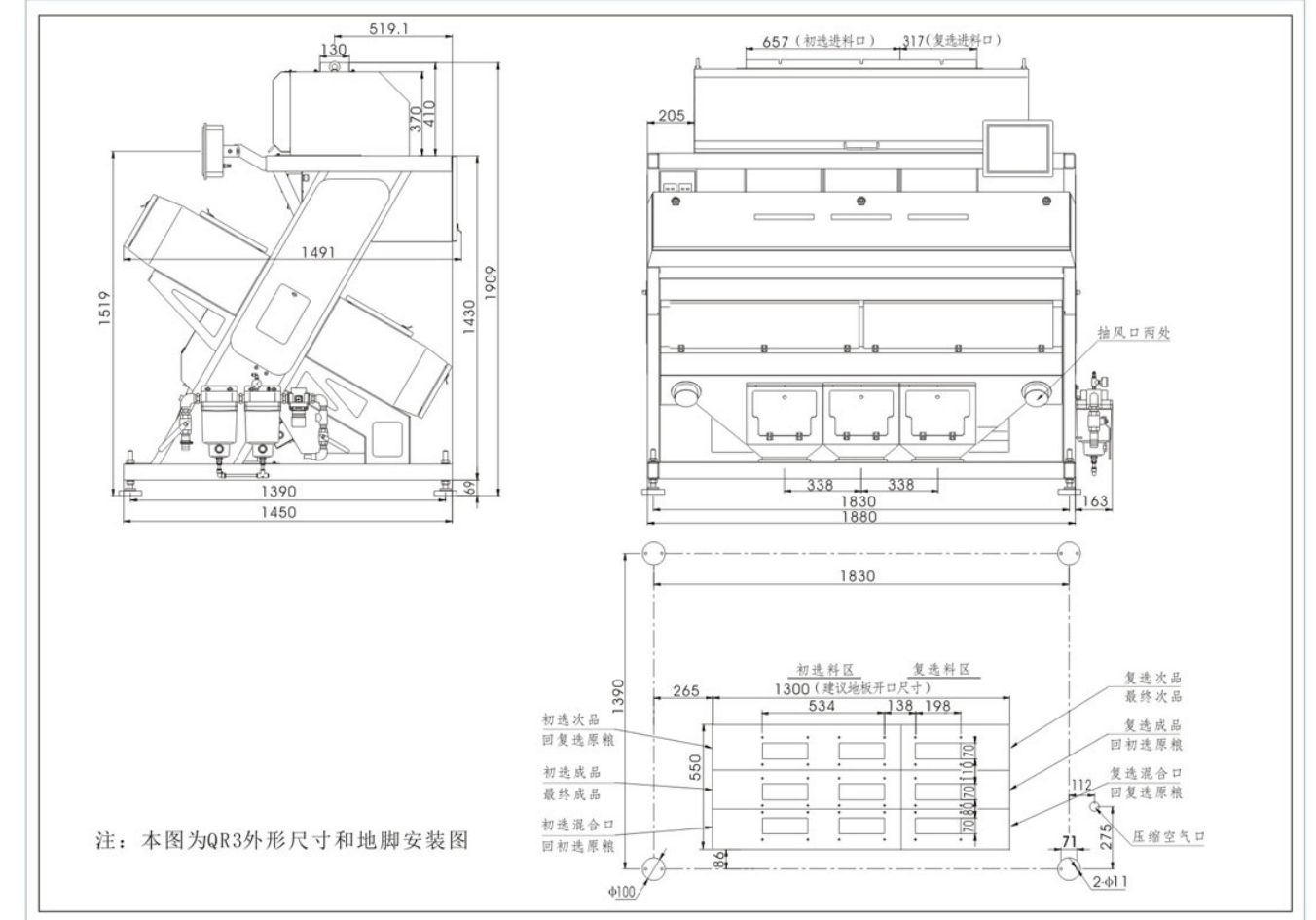
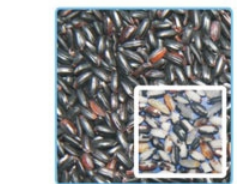
精白模式：从不透明米中剔除透明米
The mode of sorting out transparent rice from sticky rice



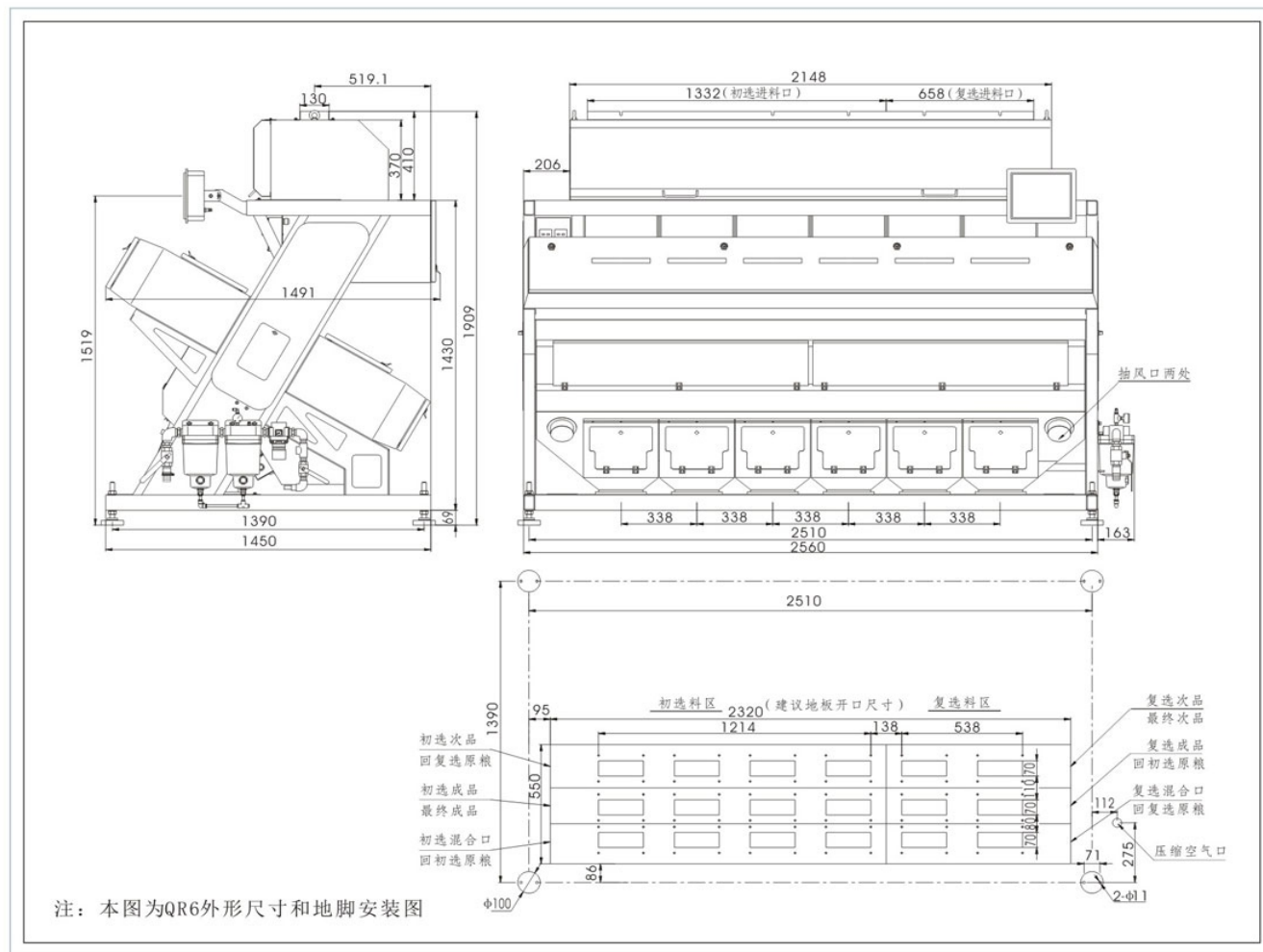
黄精同选：从不透明米中同时剔除异色和透明米
The mode of sorting out discolored and transparent rice from sticky rice simultaneously



异色反选：从深色米中剔除白米
The mode of sorting out white rice from dark rice



外形尺寸与地脚安装图 OVERALL DIMENSION



主要技术参数 MAIN TECHNICAL DATA

参数 Data	型号 Model	QR3	QR4	QR5	QR6	QR7
通道数 Channels		240	320	400	480	560
处理量 Capacity(t/h)		4-8	6-12	7-14	8-16	10-20
选净率 Sorting accuracy (%)		>99.98				
最优带出比 Optimized carryover (bad:good)		(坏:好) >8:1				
配备动力 Power(kW)		1.8	2.2	2.6	2.8	3.0
电源 Input Voltage (V)		220V (±10%)				
气源压力 Air pressure (MPa)		0.6-0.8				
气源消耗 Air consumption (m³/min)		< 1.8	< 2.4	< 3.0	< 3.6	< 4.2
机器重量 Weight (Kg)		1050	1120	1200	1330	1480
外形尺寸 Dimension LxWxH(mm)		2050x1510x1910	2050x1510x1910	2390x1510x1910	2730x1510x1910	3070x1510x1910

注：表中列举性能指标以粳米（含杂2%）为例，具体性能指标将因物料、含杂、产量不同而有变动。
 以上参数指标如有改进，恕不另行通知。
 Note: The above data is based on 2% contamination rice material, and real output depends on the rice material and its contamination.
 If products update, no further notice.

永祥致力于为用户提供高性价比的国际化产品



永祥
YONGXIANG

QR

系列CCD全数字智能大米色选机

QR-SERIES CCD COLOR SORTER

超高性价比
Highly cost effective



产量大 Big capacity
 精度高 High accuracy
 带出少 Less carryover
 性能稳定 Stable performance

通过ISO9001国际标准质量体系认证 ISO 9001-2008 Certified
 E-mail: yongxiangmiji@sohu.com http://www.hbyxjlj.com

地址：湖北省安陆市府河大道2号
 ADD: 2 FUHE AVE., ANLU CITY, HUBEI, CHINA
 电话(TEL): 0712-5254443 5254445 5258762 传真(FAX): 0712-5254443 邮编(POSTCODE): 432600

湖北永祥粮食机械股份有限公司

HUBEI YONGXIANG FOOD PROCESSING MACHINE CO.,LTD.