

MGCZ60x20重力谷糙分离机 (专利号: 200820066453.4)

MGCZ 60×20 单体重力谷糙分离机是永祥集多年研发生产谷糙分离机的专业经验, 结合国内外稻米原料的实际, 适应现代碾米企业生产工艺需要, 创新设计的新型谷糙分离设备。该机彻底解决了国内单体重力谷糙分离机运行中自平衡性差的技术难题, (全新研发的平衡技术已获得国家实用新型专利) 是日产80-100吨米厂理想的谷糙分离设备。

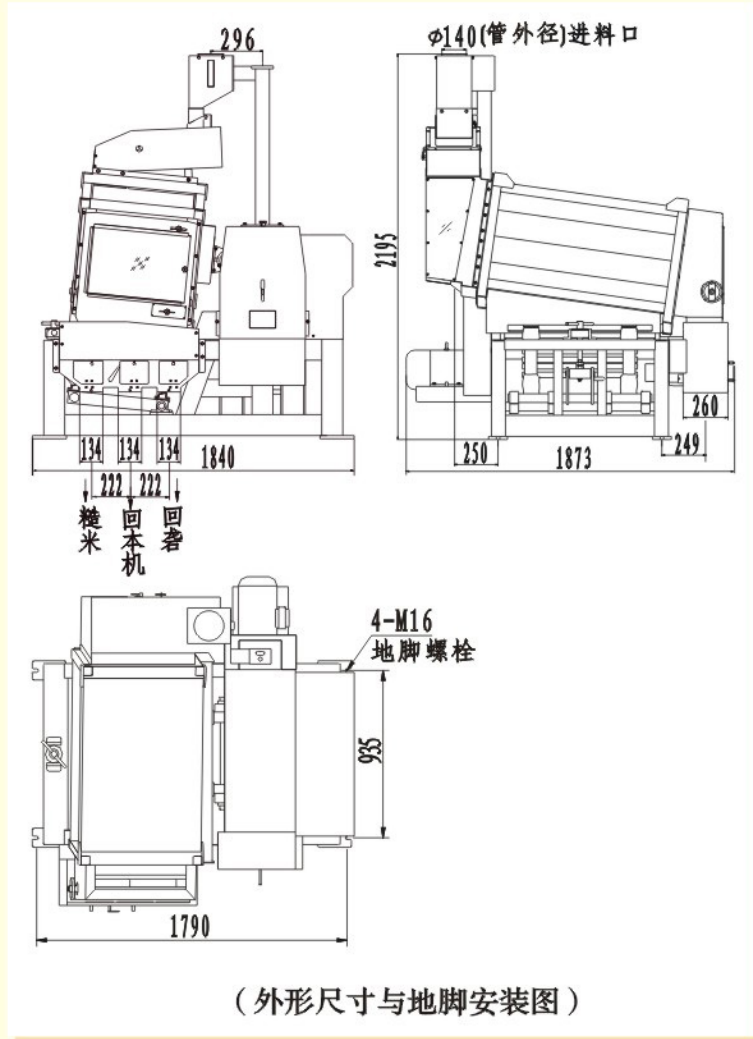
特点

- 采用获得专利的机械结构, 自平衡效果好, (该机无地脚螺栓固定时可原地不跑动) 运转平稳、机械性能稳定可靠。
- 自动化程度高, 操作方便。配备自动停机装置, 实现有料延时开机, 无料自动停机, 确保谷糙分离效果。
- 整机结构紧凑, 占地面积小, 工艺流程安排简单方便 (只有三个出口)。
- 采用不锈钢制造的分选筛板, 表面光滑, 经久耐用不粘糠, 适用范围广, 分离能力强, 可适应不同长短粒型稻米谷糙的分离。
- 能耗低, 噪音小, 单位筛理面积大, 产量高。

MGCZ60X20 paddy separator is an ideal paddy separating equipment for 80-100 T/day rice mill. It has thoroughly solved the technical problem of single body paddy separator on bad self-balance during operation. (Newly developed balance technology has obtained utility model patent, No:)

Feature

- With patented mechanical construction, it features good self-balance (the machine will not move without foundation bolt fixed), running stable and mechanical performance reliable.
- High automation, easy operation and reliable. With auto-stop device, machine can be delay started when with load while automatically stop without load, ensuring separating effect.
- Compact construction, small required area, simple processing flow (only three outlets).
- Separating plate made of stainless steel has smooth surface, durable and no bran stuck to, applicability wide, separating effect good, suitable for long and short brown rice to be separated
- Low power consumption, low noise, big unit sifting area and big capacity.



(外形尺寸与地脚安装图)

主要技术参数

型号 Type	MGCZ60×20
净糙输出量 Output(t/h)	2.5~3.5
功率 Power(kW)	4
主轴转速Rotary speed of main shaft(rpm)	295-305
外形尺寸 Overall dimensions(L×W×H)	1840×1873×2195
净重Weight(kg)	1250

● 物料条件的不同可能使产量有较大的变化 (如粮食的粒形、稻谷/糙米的比率、湿度和饱满度等)。

通过ISO9001国际标准质量体系认证

E-mail: yongxiangmiji@sohu.com http://www.hbyxlj.com

地址: 湖北省安陆市府河大道8号

ADD: 8 FUHE AVE. ANLU CITY, HUBEI, CHINA

电话(TEL): 0712-5254443 5254445 5258762 传真(FAX): 0712-5254443 邮编(POSTCODE): 432600